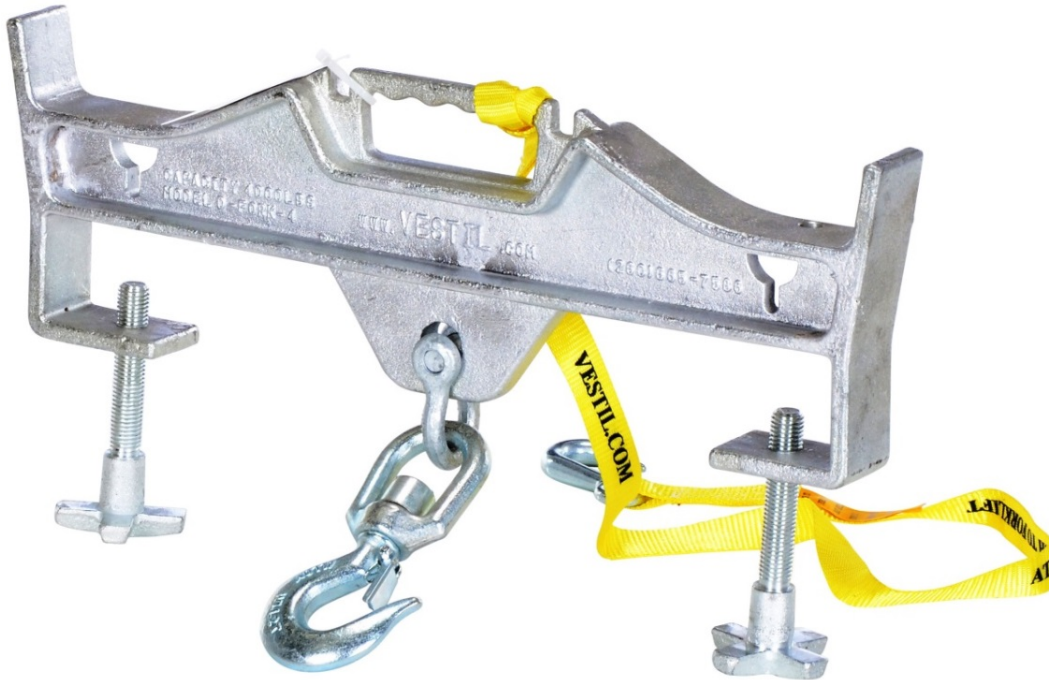




Vestil Manufacturing Co.
 2999 North Wayne Street, P.O. Box 507, Angola, IN 46703
 Telephone: (260) 665-7586 -or- Toll Free (800) 348-0868
 Fax: (260) 665-1339
 www.vestilmfg.com e-mail: info@vestil.com

D-FORK Series Fork-Mounted Hoisting Hooks Instruction Manual



Receiving instructions:

After delivery, remove the packaging from the product. Inspect the product closely to determine whether it sustained damage during transport. If damage is discovered, record a complete description of it on the bill of lading. If the product is undamaged, discard the packaging.

NOTES:

The end-user is solely responsible for confirming that product design, installation, use, and maintenance comply with laws, regulations, codes, and mandatory standards applied where the product is used.

Table of Contents

Product Specifications.....	2
Signal Words.....	2
Hazards of Improper Use.....	2
D-FORK-4-SL & D-FORK-4-RL parts diagram and bill of materials.....	3
D-FORK-10-SL parts diagram & bill of materials.....	3
Use Instructions.....	4
Loading Instructions.....	4
Inspections & Maintenance.....	4
Labeling Diagram.....	4
Limited Warranty.....	5

Signal words:

This manual uses SIGNAL WORDS to indicate the likelihood of personal injuries, as well as the probable seriousness of those injuries, if the product is misused in the ways described. Other signal words call attention to uses of the product likely cause property damage. The signal words used in this manual appear below along with their definitions.



Identifies a hazardous situation which, if not avoided, WILL result in DEATH or SERIOUS INJURY. Use of this signal word is limited to the most extreme situations.



Identifies a hazardous situation which, if not avoided, COULD result in DEATH or SERIOUS INJURY.



Indicates a hazardous situation which, if not avoided, COULD result in MINOR or MODERATE injury.



Identifies practices likely to result in product/property damage, such as operation that might damage the product.

Each person who assembles, installs, uses, or maintains this product should read the entire manual and fully understand the directions in advance. If after reading the manual you do not understand an instruction, ask your supervisor or employer for clarification, because failure to adhere to the directions in this manual might result in serious personal injury.

Hazards of Improper Use:

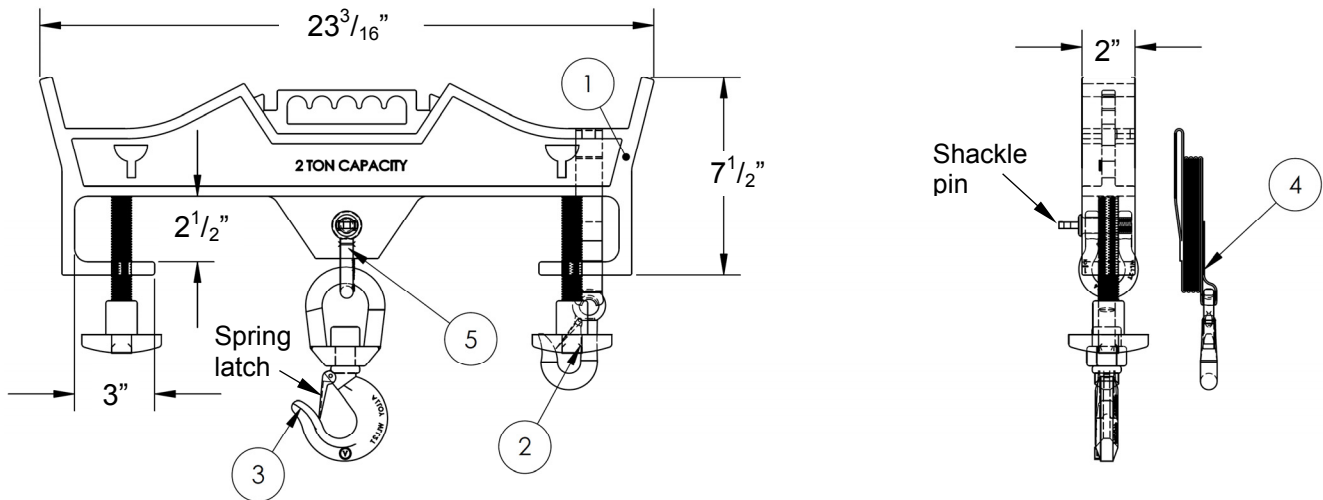
Vestil strives to identify foreseeable hazards associated with the use of its products. However, material handling is dangerous and no manual can address every conceivable risk. The end-user ultimately is responsible for exercising sound judgment at all times.



If this product is used improperly or carelessly, the operator and/or bystanders could sustain serious personal injuries.

- EVERY PERSON who installs, uses, or maintains this attachment must read and understand the instructions in this manual beforehand.
- DO NOT attempt to resolve any problem with the attachment unless you are authorized to do so AND are *certain* that it will be safe to use afterwards.
- Always inspect the attachment before using it and confirm that it is in normal condition before using it. If you observe any significant damage to any part of the attachment, immediately tag the unit "Out of Service". DO NOT use the attachment until it is restored to normal condition.
- Always make sure that the shackle pin (see Parts diagrams on p. 3) is secure before applying a load to the load hook. Tighten the pin before each use.
- This device is designed for material lifting only, i.e. do not use it to drag material.
- DO NOT use the attachment to lift or move people, e.g. lifting a work platform.
- If rigging is used with the D-FORK, confirm that the load is properly slung and balanced BEFORE lifting it. All rigging attached to the hook must be contained behind the spring/safety latch. DO NOT use the attachment to lift and move a load that is unstable when lifted with the D-FORK. ALWAYS apply proper lifting practices.
- DO NOT leave an elevated load unattended. Lower the forks until the load is fully supported by the ground and disengage the load from the hoist hook before leaving it unattended.
- DO NOT modify this product without written authorization from Vestil. Unauthorized modifications might make the fork attachment unsafe to use and automatically voids the Limited Warranty.
- DO NOT attempt to lift a load that weighs more than the rated load of the attachment OR the lift truck, *whichever is smaller*.
- DO NOT lift a load any higher than necessary to avoid contact with objects in the path of travel.
- DO NOT raise a load over people or allow anyone to stand or reach beneath a suspended load.

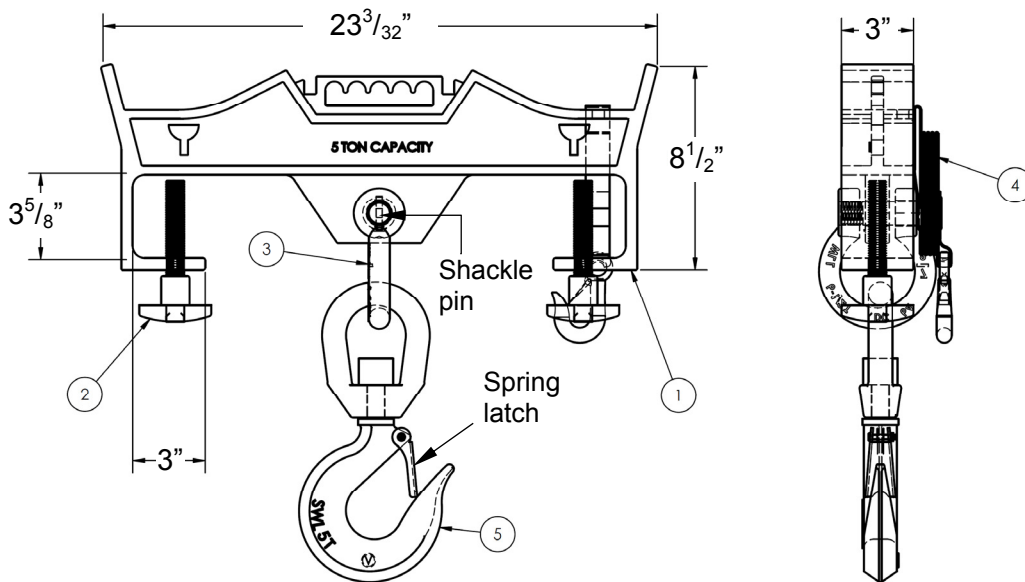
FIG. 1: D-FORK-4-SL & D-FORK-4-RL Parts Diagram & Bill of Materials



Item	Part no.	Description	Qty
1	08-028-060	Frame, D-FORK, 2 ton	1
2	08-025-008	4-handle bolt, 4 inch	2
3	08-145-001	D-FORK-4-SL: Swivel hook, 2-ton capacity	1
	08-145-039	D-FORK-4-RL: Rigid hook, 2-ton capacity	1
4	08-145-028	Safety restraint strap	1
5	08-145-010	Specialty hardware, 1/2" 2-ton	1

Model	D-FORK-4-SL	D-FORK-4-RL
Capacity	4,000 lb.	4,000 lb.
Hook Type	Swivel with latch	Rigid with latch
Net weight	31.6 lb.	31.6 lb.

FIG. 2: D-FORK-10-SL Parts Diagram & Bill of Materials



Item	Part no.	Description	Qty
1	08-028-059	Frame, 5-ton capacity	1
2	08-025-008	4-handle bolt, 4 inch	2
3	08-145-006	Specialty hardware, 7/8", 6 1/2-ton capacity shackle	1
4	08-145-028	Safety restraint strap	1
5	08-145-005	Specialty hardware, swivel hook 5-ton capacity	1

Model	D-FORK-10-SL
Capacity	10,000 lb.
Hook Type	Swivel with latch
Net weight	54 lb.

Use instructions:

Capacity information for each D-FORK model appears in “Product specifications” on p. 2. Do not try to lift loads that weigh more than the capacity of your unit.

Position the D-FORK along the length of the tines based on the capacity of your fork truck; then securely attach the device to the tines using *both* the clamping bolts (item no. 2 above) and the nylon safety strap (item no. 6). First, tighten the clamping bolts against the underside of the tines, and then attach the safety strap to the fork carriage. Wrap the strap around a part of the carriage and attach the hook to the strap. There should be no slack in the strap.

Because this product is a fork attachment, you should request that the fork truck manufacturer or a professional engineer determine how its use will affect the capacity, operation and maintenance of your fork truck. Plates, tags, labels, etc. affixed to the truck should be changed accordingly. The truck should also be marked to identify the D-FORK attachment and display the approximate weight of the truck and attachment combination at maximum elevation with load laterally centered. (See 29 CFR 1910.178).

Firmly tighten the knobs against the underside of the tines; then wrap the safety strap around the fork carriage. Attach the hook at the end of the safety strap to the safety strap. The strap must be wrapped around the carriage a sufficient number of times so that there is no slack in the strap. Tilt the forks back slightly

Loading instructions:

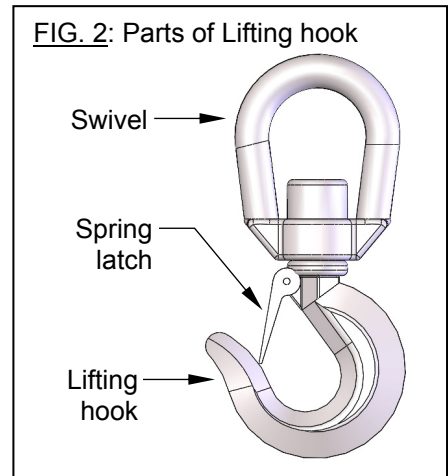
Capacity information is cast on the surface of the hook. It indicates the net capacity of the hook in pounds. The capacity is also displayed on tag 023 (see “Labeling Diagram” below).

Connect the load to the D-FORK in a manner that will minimize load swing when it is lifted off of the ground. Swinging loads might cause injuries and/or damage equipment.

Inspections and maintenance:

(A) Before each use and AT LEAST once per month, inspect the following:

- 1.) Spring latch: Confirm normal condition and proper operation of the spring latch of the lifting hook.
- 2.) Lifting hook mechanisms (-SL models only): Check for excessive wear, looseness or damage to the shackle, hook swivel, lifting hook, or the point of attachment to the main body of the D-FORK.
- 3.) Frame: Inspect the main body for deformation, cracking, etc.
- 4.) 4in. threaded knobs: Check the bolts for deformation, excessive wear, cracks, or other structural damage.
- 5.) Safety strap: Closely examine the strap, snap hook, and the hook at the free end of the strap. Look for thinned, frayed, torn, or significantly worn areas.
- 6.) Labels: Examine the labels (see diagram below). Confirm that each label is present, readable, and in good condition.



(B) Yearly inspection

Once per year, load the D-FORK to full rated capacity. Observe the hook, shackle and swivel (-SL models) from a safe distance for looseness and for deflection of any of the hoisting hook parts. Lift the load for about 1 minute; then lower it and disconnect the load from the lifting hook. After the load is removed, closely inspect all parts and surfaces of the entire D-FORK for fatigue, cracks or deformation. If any significant damage is observed, remove the D-FORK from service.

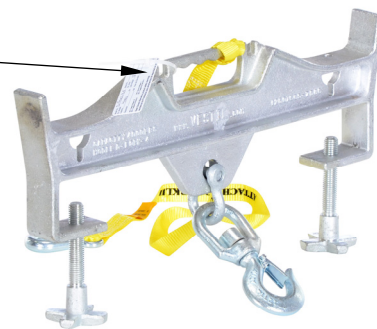
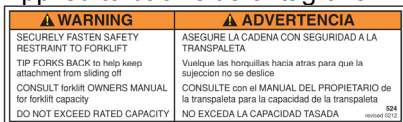
Labeling diagram:

The product should be labeled as shown in the diagram below. Replace any label that is missing, damaged or unreadable.

Tag 023: Product data tag
Connected via zip tie to handle



Label 524: Proper use instructions
Applied to back side of tag 023



LIMITED WARRANTY

Vestil Manufacturing Corporation (“Vestil”) warrants this product to be free of defects in material and workmanship during the warranty period. *Our warranty obligation is to provide a replacement for a defective original part if the part is covered by the warranty, after we receive a proper request from the warrantee (you) for warranty service.*

Who may request service?

Only a warrantee may request service. *You are a warrantee if* you purchased the product from Vestil or from an authorized distributor AND Vestil has been fully paid.

What is an “original part”?

An original part is a part used to make the product as shipped to the warrantee.

What is a “proper request”?

A request for warranty service is proper if Vestil receives: 1) a photocopy of the Customer Invoice that displays the shipping date; AND 2) a written request for warranty service including your name and phone number. Send requests by any of the following methods:

Mail
Vestil Manufacturing Corporation
2999 North Wayne Street, PO Box 507
Angola, IN 46703

Fax
(260) 665-1339
Phone
(260) 665-7586

Email
sales@vestil.com

In the written request, list the parts believed to be defective and include the address where replacements should be delivered.

What is covered under the warranty?

After Vestil receives your request for warranty service, an authorized representative will contact you to determine whether your claim is covered by the warranty. Before providing warranty service, Vestil may require you to send the entire product, or just the defective part or parts, to its facility in Angola, IN. The warranty covers defects in the following original dynamic components: motors, hydraulic pumps, electronic controllers, switches and cylinders. It also covers defects in original parts that wear under normal usage conditions (“wearing parts”), such as bearings, hoses, wheels, seals, brushes, and batteries.

How long is the warranty period?

The warranty period for original dynamic components is 90 days. For wearing parts, the warranty period is 90 days. The warranty periods begin on the date when Vestil ships the product to the warrantee. If the product was purchased from an authorized distributor, the periods begin when the distributor ships the product. Vestil may, at its sole discretion, extend the warranty periods for products shipped from authorized distributors by *up to* 30 days to account for shipping time.

If a defective part is covered by the warranty, what will Vestil do to correct the problem?

Vestil will provide an appropriate replacement for any *covered* part. An authorized representative of Vestil will contact you to discuss your claim.

What is not covered by the warranty?

1. Labor;
2. Freight;
3. Occurrence of any of the following, which automatically voids the warranty:
 - Product misuse;
 - Negligent operation or repair;
 - Corrosion or use in corrosive conditions;
 - Inadequate or improper maintenance;
 - Damage sustained during shipping;
 - Accidents involving the product;
 - Unauthorized modifications: DO NOT modify the product IN ANY WAY without first receiving written authorization from Vestil. Modification(s) might make the product unsafe to use or might cause excessive and/or abnormal wear.

Do any other warranties apply to the product?

Vestil Manufacturing Corp. makes no other express warranties. All implied warranties are disclaimed to the extent allowed by law. Any implied warranty not disclaimed is limited in scope to the terms of this Limited Warranty.

