



Vestil Manufacturing Corp.
 2999 North Wayne Street, P.O. Box 507, Angola, IN 46703
 Telephone: (260) 665-7586 -or- Toll Free (800) 348-0868
 Fax: (260) 665-1339
 Web: www.vestilmfg.com Email: info@vestil.com

LAD-MM Series Mobile Ladder Stands Instruction Manual



Receiving instructions:

After delivery, remove the packaging from the product. Inspect the product closely to determine whether it sustained damage during transport. If damage is discovered, record a complete description of it on the bill of lading. If the product is undamaged, discard the packaging.

NOTE: The end-user is solely responsible for confirming that product design, use, and maintenance comply with laws, regulations, codes, and mandatory standards applied where the product is used.

Replacement Parts and Technical Assistance:

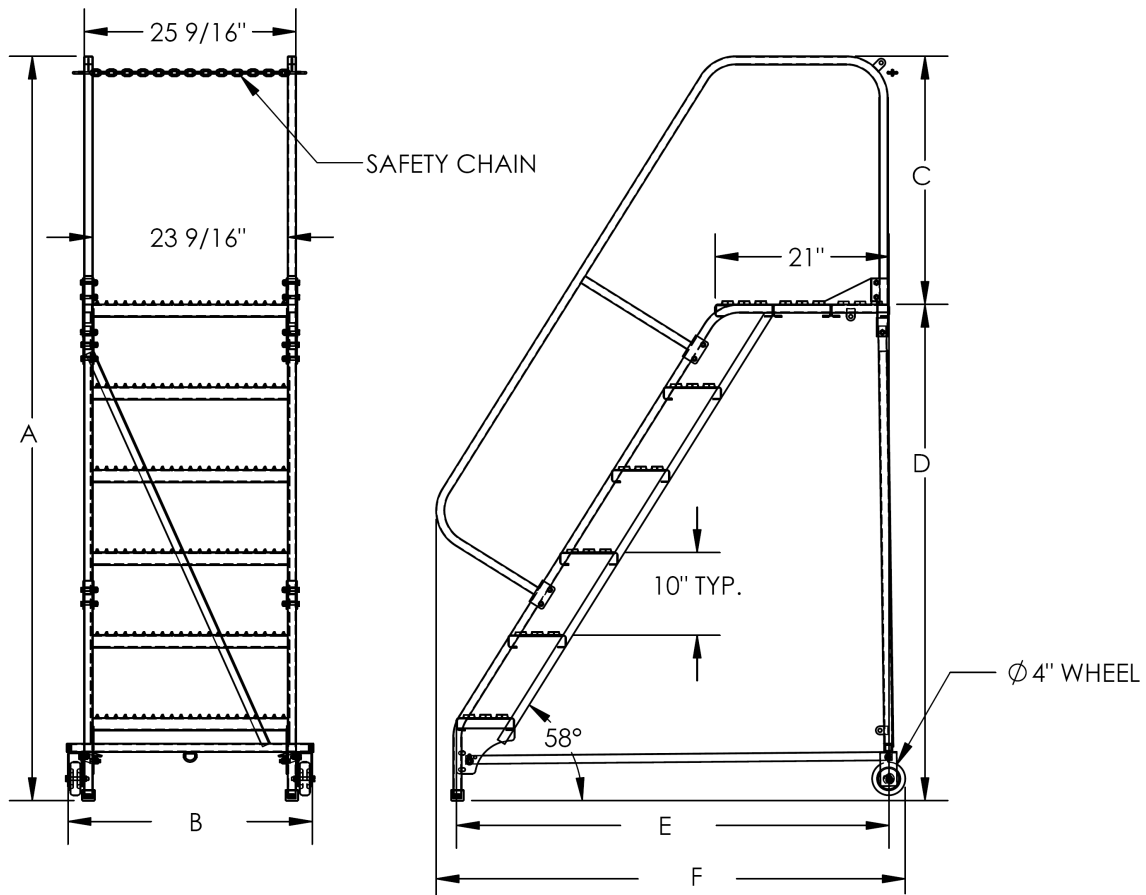
For answers to questions not addressed in these instructions and to order replacement parts, labels, and accessories, call our Technical Service and Parts Department at (260) 665-7586. The department can also be contacted online at http://www.vestilmfg.com/parts_info.htm.

Table of Contents

Specifications.....	2
Signal Words.....	3
Hazards of Using the Ladder.....	3
Exploded Views and Bills of Materials.....	4 – 8
LAD-MM-(2; 3; & 4)-(P & G).....	4
LAD-MM-(5; 6; & 7)-(P & G).....	5
LAD-MM-(8; 9; & 10)-(P & G).....	6
LAD-MM-11-(P & G).....	7
LAD-MM-12-(P & G).....	8
Assembling the Ladder.....	9, 10, 11
Using the Ladder.....	11
Record of Normal Condition.....	12
Inspections & Maintenance.....	12
Labeling Diagram.....	12
Limited Warranty.....	13

Specifications:

Dimensions and other relevant specifications for each LAD-MM series ladder stand appear in the table below.



Model	Number of steps	A: Overall height	B: Overall width	C: Railing height	D: Platform height	E: Usable length	F: Overall length	Step slope	Capacity	Net Weight
LAD-MM-2-P	2	50"	29 ¹ / ₂ "	30"	20"	27 ¹ / ₄ "	38 ¹ / ₂ "	58°	350 lb.	69 lb.
LAD-MM-3-P	3	60"	29 ¹ / ₂ "	30"	30"	33 ¹ / ₂ "	38 ⁷ / ₁₆ "	58°	350 lb.	82 lb.
LAD-MM-4-P	4	70"	29 ¹ / ₂ "	30"	40"	39 ³ / ₄ "	42 ⁵ / ₈ "	58°	350 lb.	100 lb.
LAD-MM-5-P	5	80"	29 ¹ / ₂ "	30"	50"	46"	49 ³ / ₄ "	58°	350 lb.	119 lb.
LAD-MM-6-P	6	90"	29 ¹ / ₂ "	30"	60"	52 ¹ / ₄ "	56 ¹¹ / ₁₆ "	58°	350 lb.	135 lb.
LAD-MM-7-P	7	100"	29 ¹ / ₂ "	30"	70"	58 ¹ / ₂ "	62 ³ / ₈ "	58°	350 lb.	150 lb.
LAD-MM-8-P	8	110"	29 ¹ / ₂ "	30"	80"	64 ³ / ₄ "	68 ⁵ / ₈ "	58°	350 lb.	169 lb.
LAD-MM-9-P	9	120"	29 ¹ / ₂ "	30"	90"	71"	74 ⁷ / ₈ "	58°	350 lb.	185 lb.
LAD-MM-10-P	10	130"	29 ¹ / ₂ "	30"	100"	77 ¹ / ₄ "	81 ¹ / ₈ "	58°	350 lb.	202 lb.
LAD-MM-11-P	11	140"	32"	30"	110"	83 ¹ / ₂ "	87 ³ / ₈ "	58°	350 lb.	222 lb.
LAD-MM-12-P	12	156"	32"	36"	120"	89 ³ / ₄ "	93 ¹ / ₄ "	58°	350 lb.	247 lb.
LAD-MM-2-G	2	50"	29 ¹ / ₂ "	30"	20"	27 ¹ / ₄ "	38 ¹ / ₂ "	58°	350 lb.	70 lb.
LAD-MM-3-G	3	60"	29 ¹ / ₂ "	30"	30"	33 ¹ / ₂ "	38 ¹ / ₂ "	58°	350 lb.	84 lb.
LAD-MM-4-G	4	70"	29 ¹ / ₂ "	30"	40"	39 ³ / ₄ "	43 ⁵ / ₈ "	58°	350 lb.	101 lb.
LAD-MM-5-G	5	80"	29 ¹ / ₂ "	30"	50"	46"	49 ³ / ₄ "	58°	350 lb.	121 lb.
LAD-MM-6-G	6	90"	29 ¹ / ₂ "	30"	60"	52 ¹ / ₄ "	56 ¹¹ / ₁₆ "	58°	350 lb.	137 lb.
LAD-MM-7-G	7	100"	29 ¹ / ₂ "	30"	70"	58 ¹ / ₂ "	62 ³ / ₈ "	58°	350 lb.	152 lb.
LAD-MM-8-G	8	110"	29 ¹ / ₂ "	30"	80"	64 ³ / ₄ "	68 ⁵ / ₈ "	58°	350 lb.	172 lb.
LAD-MM-9-G	9	120"	29 ¹ / ₂ "	30"	90"	71"	74 ⁷ / ₈ "	58°	350 lb.	188 lb.
LAD-MM-10-G	10	130"	29 ¹ / ₂ "	30"	100"	77 ¹ / ₄ "	81 ¹ / ₈ "	58°	350 lb.	205 lb.
LAD-RF-11-G	11	140"	32"	30"	110"	83 ¹ / ₂ "	87 ³ / ₈ "	58°	350 lb.	225 lb.
LAD-RF-12-G	12	156"	32"	36"	120"	89 ³ / ₄ "	93 ¹ / ₄ "	58°	350 lb.	250 lb.

Signal words:

This manual uses SIGNAL WORDS to indicate the likelihood of personal injuries, as well as the probable seriousness of those injuries, if the product is misused in the ways described. Other signal words call attention to uses of the product likely cause property damage. The signal words used appear below along with the meaning of each word:



Identifies a hazardous situation which, if not avoided, WILL result in DEATH or SERIOUS INJURY. Use of this signal word is limited to the most extreme situations.



Identifies a hazardous situation which, if not avoided, COULD result in DEATH or SERIOUS INJURY.



Indicates a hazardous situation which, if not avoided, COULD result in MINOR or MODERATE injury.



Identifies practices likely to result in product/property damage, such as operation that might damage the crane.

Hazards of Using the Ladder:

Vestil strives to identify foreseeable hazards associated with the use of its products. However, no manual can address every conceivable risk. The most effective way to avoid injury from misusing this product is to exercise sound judgment whenever the ladder is in use.

WARNING If this product is used improperly or carelessly, the user and/or bystanders might sustain serious personal injuries or could even be killed. ALWAYS use the product properly:

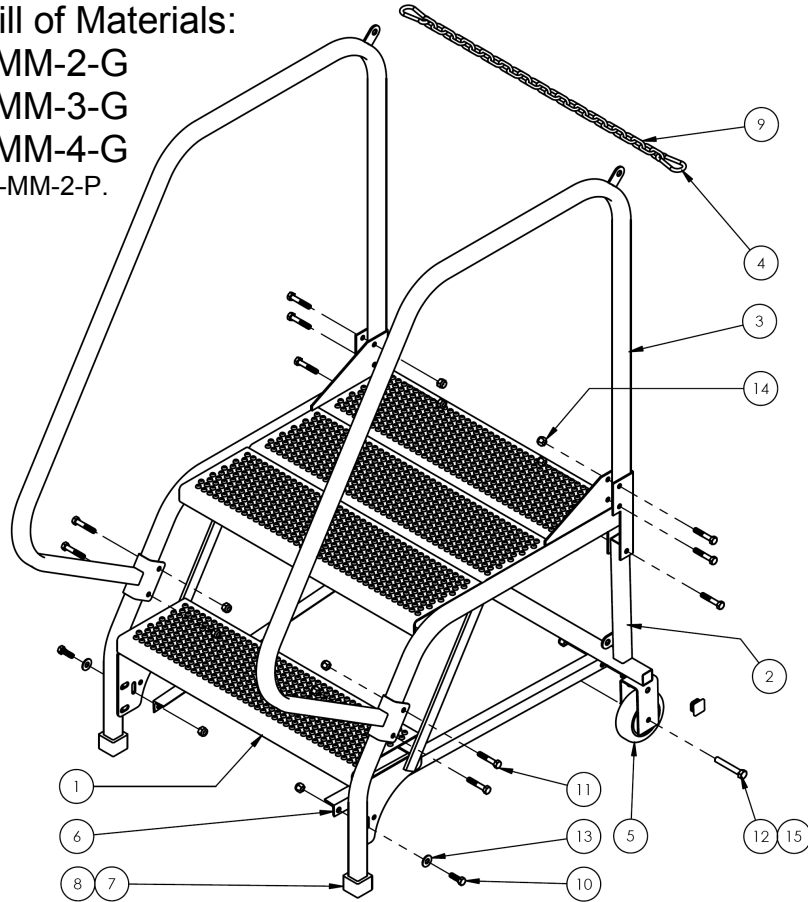
- **Read and understand the entire manual before assembling, using or servicing the ladder.**
- DO NOT exceed the rated load of the ladder. The total weight applied to the ladder (weight of the user plus tools, etc.) must not be greater than the rated load.
- DO NOT use the ladder on uneven or unstable surfaces. ONLY use the ladder on level, even surfaces
- Make sure that you will not contact overhead objects with either your body or with the ladder during use.
- Always unload the ladder before leaving it unattended.
- Remove foreign matter, like mud or grease, from your shoes before walking on the ladder.
- ALWAYS face the stairs and use the handrails while ascending and descending the ladder.
- DO NOT increase the height of the platform or of a step by standing on other objects placed on the ladder.
- Inspect the ladder as described in [Inspections & Maintenance](#) on p. 12. DO NOT use the ladder unless it is in normal condition. ONLY use manufacturer-approved replacement parts if repairs are necessary.
- DO NOT use the ladder if the caps on the front legs are significantly worn. See applicable *Exploded View* on p. 4-8. Caps should prevent the ladder from sliding. If either or both caps are too worn to function properly, replace them before using the ladder again.
- ONLY use the ladder to access objects that you cannot otherwise reach. DO NOT use the ladder for any other purpose. For instance, DO NOT use the ladder as a storage rack or as a way to move people or material. Always unload the ladder before leaving it unattended.
- DO NOT lean or reach over the sides of the ladder. Position the ladder as close to the work as possible.
- DO NOT attempt to move the ladder while someone is using it.
- DO NOT use the ladder to transport people or objects.
- DO NOT remove or obscure any label. Each label must be readable, undamaged, and present in the appropriate location. See [Labeling diagram](#) on p. 12.
- DO NOT modify this ladder! Unauthorized modifications automatically void the [Limited Warranty](#) (p. 13) and might make the ladder unsafe to use.

NOTICE This product must be properly maintained to function properly. See [Inspections & Maintenance](#) on p. 12.

- Keep the ladder clean & dry.
- Periodically check the ladder frame. The ladder should be solid, square, and free of rust and corrosion.
- Lubricate the wheel bolts whenever necessary for the wheels to rotate freely.
- The ladder stand is designed for both indoor and outdoor use. However, it should be stored indoors when not in use.

**Exploded View and Bill of Materials:
LAD-MM-2-P & LAD-MM-2-G
LAD-MM-3-P & LAD-MM-3-G
LAD-MM-4-P & LAD-MM-4-G**

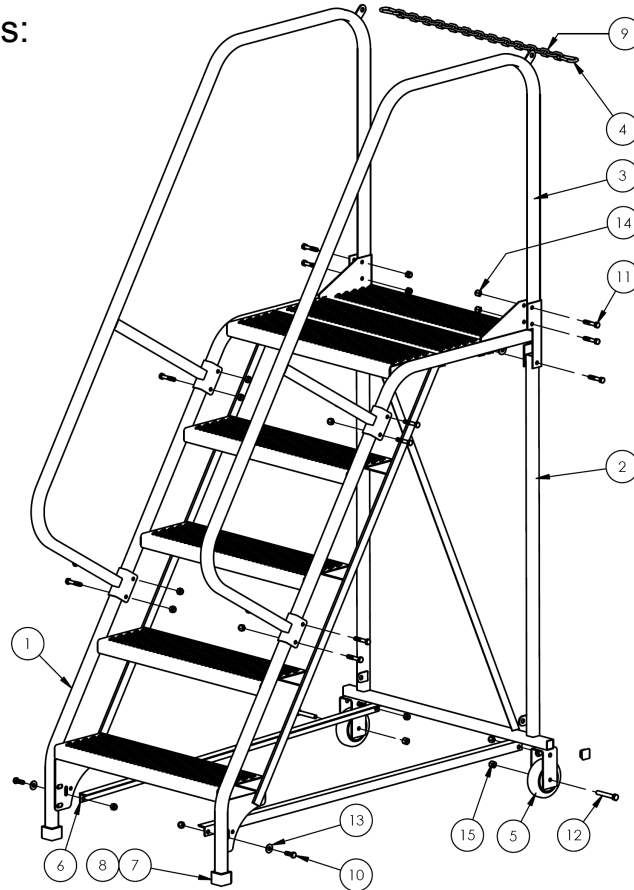
*NOTE: Diagram shows LAD-MM-2-P.



Item	Part no.	Description	Qty.
1	44-647-053	<u>Weldment, step frame:</u> LAD-MM-2-P	1
	44-647-054	LAD-MM-2-G	1
	44-647-053	LAD-MM-3-P	1
	44-647-052	LAD-MM-3-G	1
	44-647-006	LAD-MM-4-P	1
	44-647-010	LAD-MM-4-G	1
2	44-514-299	<u>Weldment, back leg:</u> 2-step, 26" step: LAD-MM-2-P & LAD-MM-2-G	1
	44-514-300	3-step, 26" step: LAD-MM-3-P & LAD-MM-3-G	1
	44-514-301	4-step, 26" step: LAD-MM-4-P & LAD-MM-4-G	1
3	44-524-059	<u>Weldment, handrail:</u> LAD-MM-2-P; LAD-MM-2-G; LAD-MM-3-P; & LAM-MM-3-G	2
	44-524-038	LAD-MM-4-P & LAD-MM-4-G	2
4	08-145-008	Snap hook, 1/4"	2
5	16-132-009	Wheel, PP-4/1.25-W	2
6	44-014-331	<u>Frame, base support:</u> LAD-MM-2-P & LAD-MM-2-G	2
	44-014-332	LAD-MM-3-P & LAM-MM-3-G	2
	44-014-233	LAD-MM-4-P & LAD-MM-4-G	2
7	99-024-027	Square cap, 1" x 1", 60 Duro.	2
8	99-025-025	1" plastic plug	4
9	99-145-031	3/16" chain 24"	1
10	11055	Hex bolt, gr, A, zinc plated, 5/16"-18 x 1"	4
11	11060	Hex bolt, HHCS, 5/16"-18UNC x 1 3/4"	10
12	11113	Hex bolt, gr. A, plain finish, 3/8"-16 x 2 1/2"	2
13	33006	Flat washer, zinc plated, USS, 5/16"	4
14	37021	Nylon insert lock nut, gr. 2, zinc finish, 5/16"-18	14
15	37024	Nylon insert lock nut, gr. 2, zinc finish, 3/8"-16	2

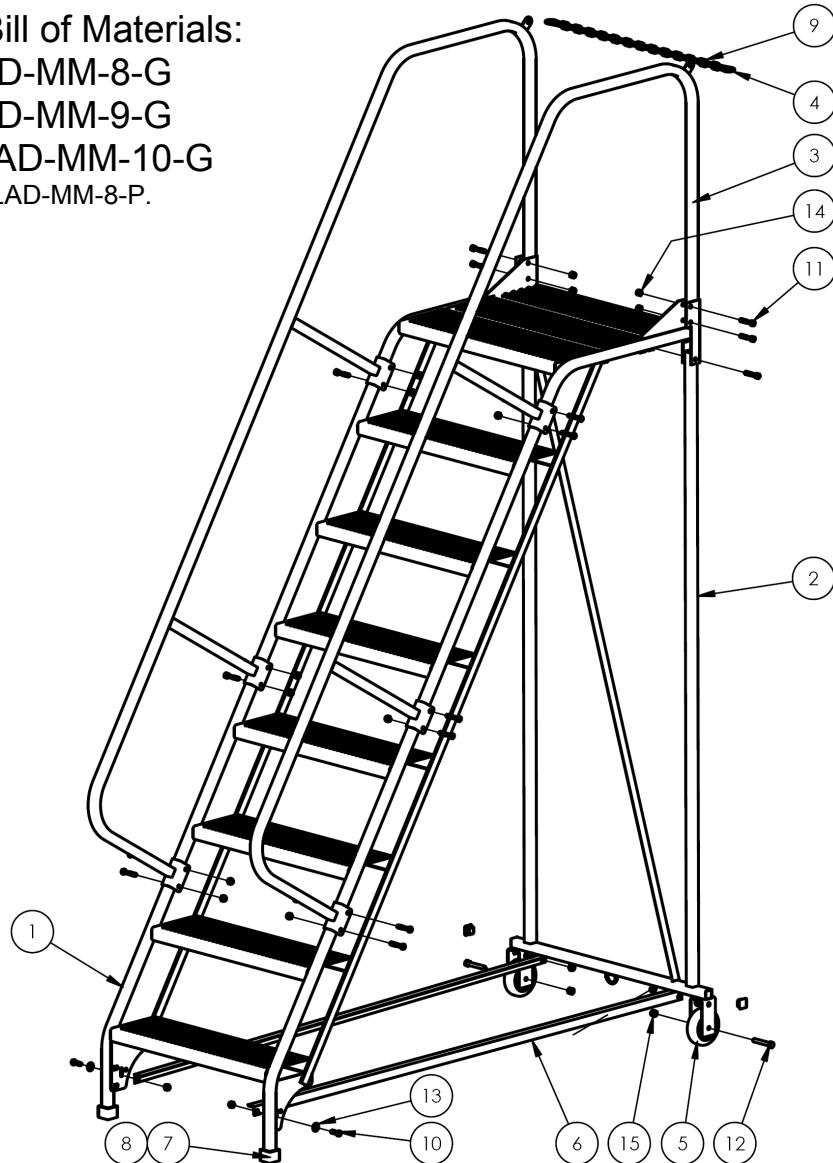
Exploded View & Bill of Materials:
LAD-MM-5-P & LAD-MM-5-G
LAD-MM-6-P & LAD-MM-6-G
LAD-MM-7-P & LAD-MM-7-G

*NOTE: Diagram shows LAD-MM-5-P.



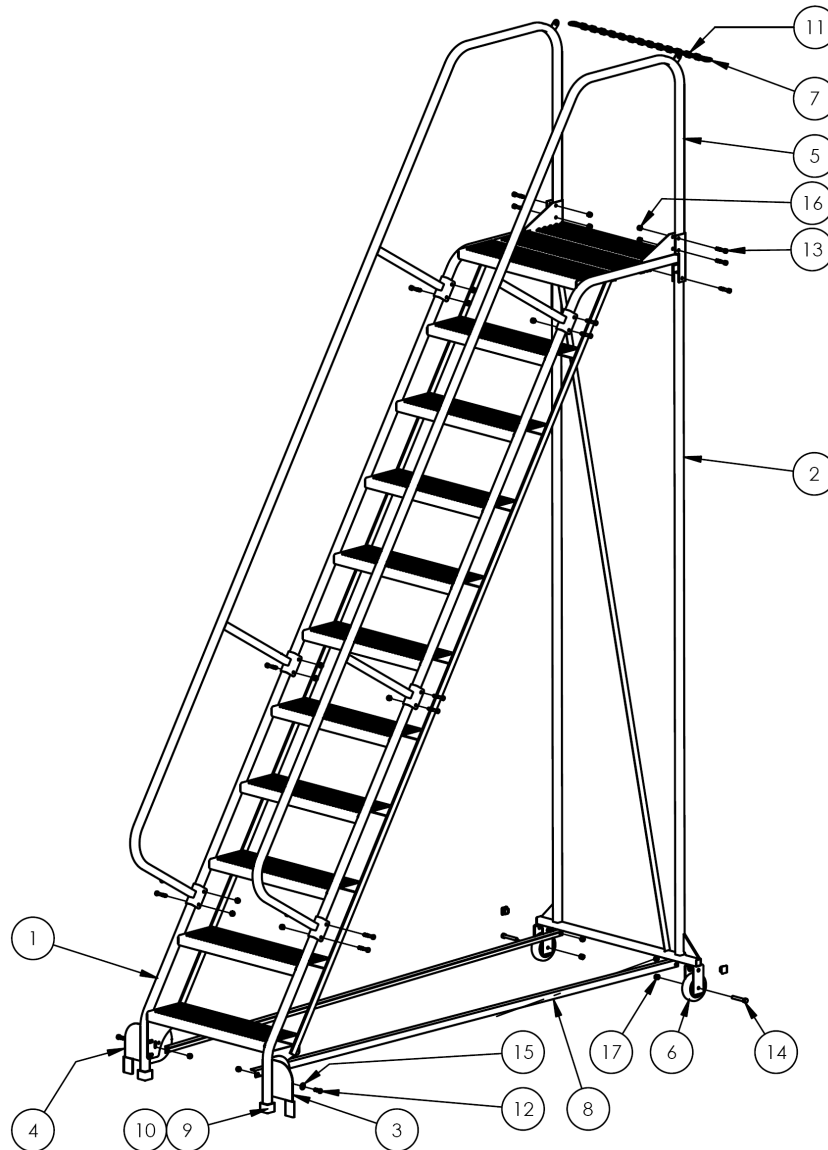
Item	Part no.	Description	Qty.
1	44-647-007	<u>Weldment, step frame:</u> LAD-MM-5-P	1
	44-647-011	LAD-MM-5-G	1
	44-647-008	LAD-MM-6-P	1
	44-647-012	LAD-MM-6-G	1
	44-647-009	LAD-MM-7-P	1
	44-647-013	LAD-MM-7-G	1
2	44-514-302	<u>Weldment, back leg:</u> 5-step, 26" step: LAD-MM-5-P & LAD-MM-5-G	1
	44-514-303	6-step, 26" step: LAD-MM-6-P & LAD-MM-6-G	1
	44-514-304	7-step, 26" step: LAD-MM-7-P & LAD-MM-7-G	1
3	44-524-057	<u>Weldment, handrail:</u> LAD-MM-5-P & LAD-MM-5-G	2
	44-524-039	LAD-MM-6-P & LAD-MM-6-G	2
	44-524-040	LAD-MM-7-P & LAD-MM-7-G	2
4	08-145-008	Snap hook, 1/4"	2
5	16-132-009	Wheel, PP-4/1.25-W	2
6	44-014-320	<u>Frame, base support:</u> LAD-MM-5-P & LAD-MM-5-G	2
	44-014-238	LAD-MM-6-P & LAD-MM-6-G	2
	44-014-243	LAD-MM-7-P & LAD-MM-7-G	2
7	99-024-027	Square cap, 1" x 1", 60 Duro.	2
8	99-025-025	1" plastic plug	4
9	99-145-031	3/16" chain 24"	1
10	11055	Hex bolt, gr. A, zinc plated, 5/16"-18 x 1"	4
11	11060	Hex bolt, HHCS, 5/16"-18UNC x 1 3/4"	14
12	11113	Hex bolt, gr. A, plain finish, 3/8"-16 x 2 1/2"	2
13	33006	Flat washer, zinc plated, USS, 5/16"	4
14	37021	Nylon insert lock nut, gr. 2, zinc finish, 5/16"-18	18
15	37024	Nylon insert lock nut, gr. 2, zinc finish, 3/8"-16	2

Exploded View & Bill of Materials:
LAD-MM-8-P & LAD-MM-8-G
LAD-MM-9-P & LAD-MM-9-G
LAD-MM-10-P & LAD-MM-10-G
 *NOTE: Diagram shows LAD-MM-8-P.



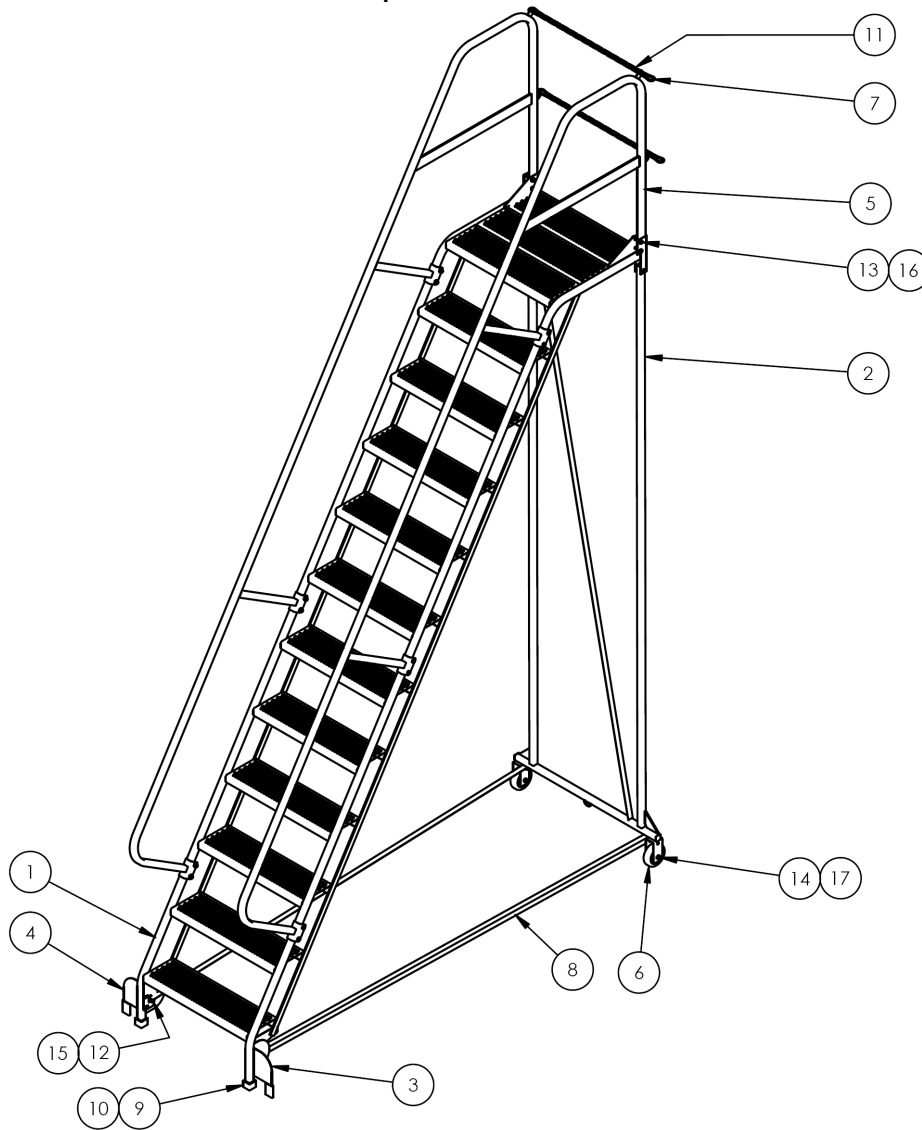
Item	Part no.	Description	Qty.	Item	Part no.	Description	Qty.	
1	<u>Weldment, step frame:</u>			6	<u>Frame, base support:</u>			
	44-647-061	LAD-MM-8-P	1		44-014-400	LAD-MM-8-P & -G	2	
	44-647-060	LAD-MM-8-G	1		44-014-401	LAD-MM-9-P & -G	2	
	44-647-063	LAD-MM-9-P	1		44-014-402	LAD-MM-10-P & -G	2	
	44-647-062	LAD-MM-9-G	1		7	99-024-027	Square cap, 1" x 1", 60 Duro.	2
	44-647-065	LAD-MM-10-P	1		8	99-025-025	1" plastic plug	4
	44-647-064	LAD-MM-10-G	1		9	99-145-031	³ / ₁₆ " chain 24"	1
2	<u>Weldment, back leg:</u>			10	11055	Hex bolt, gr, A, zinc plated, ⁵ / ₁₆ "-18 x 1"	4	
	44-514-305	LAD-MM-8-P & -G	1	11	11060	Hex bolt, HHCS, ⁵ / ₁₆ "-18UNC x 1 ³ / ₄ "	18	
	44-514-306	LAD-MM-9-P & -G	1					
44-514-307	LAD-MM-10-P & -G	1	12	11113	Hex bolt, gr. A, plain finish, ³ / ₈ "-16 x 2 ¹ / ₂ "	2		
3	<u>Weldment, handrail:</u>			13	33006	Flat washer, zinc plated, USS, ⁵ / ₁₆ "	4	
	44-524-082	LAD-MM-8-P & -G	2					
	44-524-083	LAD-MM-9-P & -G	2					
	44-524-084	LAD-MM-10-P & -G	2	14	37021	Nylon insert lock nut, gr. 2, zinc finish, ⁵ / ₁₆ "-18	22	
4	08-145-008	Snap hook, ¹ / ₄ "	2	15	37024	Nylon insert lock nut, gr. 2, zinc finish, ³ / ₈ "-16	2	
5	16-132-009	Wheel, PP-4/1.25-W	2					

LAD-MM-11-P & LAD-MM-11-G Exploded View & Bill of Materials



Item	Part no.	Description	Qty.	Item	Part no.	Description	Qty.
1	44-647-067 44-647-066	Weldment, 11-step frame: LAD-MM-11-P LAD-MM-11-G	1 1	9	99-024-027	Square cap, 1" x 1", 60 Duro.	2
2	44-514-308	Weldment, back leg, 11-step, 26" step	1	10	99-025-025	1" plastic plug	4
3	44-514-310	Assembly, outrigger, right	1	11	99-145-031	³ / ₁₆ " chain 24"	1
4	44-514-311	Assembly, outrigger, left	1	12	11055	Hex bolt, gr. A, zinc plated, ⁵ / ₁₆ "-18 x 1"	4
5	44-524-085	Weldment, handrail	2	13	11060	Hex bolt, HHCS, ⁵ / ₁₆ "-18UNC x 1 ³ / ₄ "	18
6	16-132-009	Wheel, PP-4/1.25-W	2	14	11113	Hex bolt, gr. A, plain finish, ³ / ₈ "-16 x 2 ¹ / ₂ "	2
7	08-145-008	Snap hook, ¹ / ₄ "	2	15	33006	Flat washer, zinc plated, USS, ⁵ / ₁₆ "	4
8	44-014-403	Frame, base support	2	16	37021	Nylon insert lock nut, gr. 2, zinc finish, ⁵ / ₁₆ "-18	22
				17	37024	Nylon insert lock nut, gr. 2, zinc finish, ³ / ₈ "-16	2

LAD-MM-12-P & LAD-MM-12-G Exploded View & Bill of Materials



Item	Part no.	Description	Qty.	Item	Part no.	Description	Qty.
1	44-647-069	Weldment, 12-step frame:	1	9	99-024-027	Square cap, 1" x 1", 60 Duro.	2
	44-647-068	LAD-MM-12-G	1				
2	44-514-309	Weldment, back leg, 12-step, 26" step	1	10	99-025-025	1" plastic plug	4
3	44-514-310	Assembly, outrigger, right	1	11	99-145-031	3/16" chain 24"	2
4	44-514-311	Assembly, outrigger, left	1	12	11055	Hex bolt, gr. A, zinc plated, 5/16"-18 x 1"	4
5	44-524-086	Weldment, handrail	2	13	11060	Hex bolt, HHCS, 5/16"-18UNC x 1 3/4"	18
6	16-132-009	Wheel, PP-4/1.25-W	2	14	11113	Hex bolt, gr. A, plain finish, 3/8"-16 x 2 1/2"	2
7	08-145-008	Snap hook, 1/4"	4	15	33006	Flat washer, zinc plated, USS, 5/16"	4
8	44-014-404	Frame, base support	2	16	37021	Nylon insert lock nut, gr. 2, zinc finish, 5/16"-18	22
				17	37024	Nylon insert lock nut, gr. 2, zinc finish, 3/8"-16	2

Assembling the ladder:

WARNING

Improper assembly might make the ladder unsafe to use.

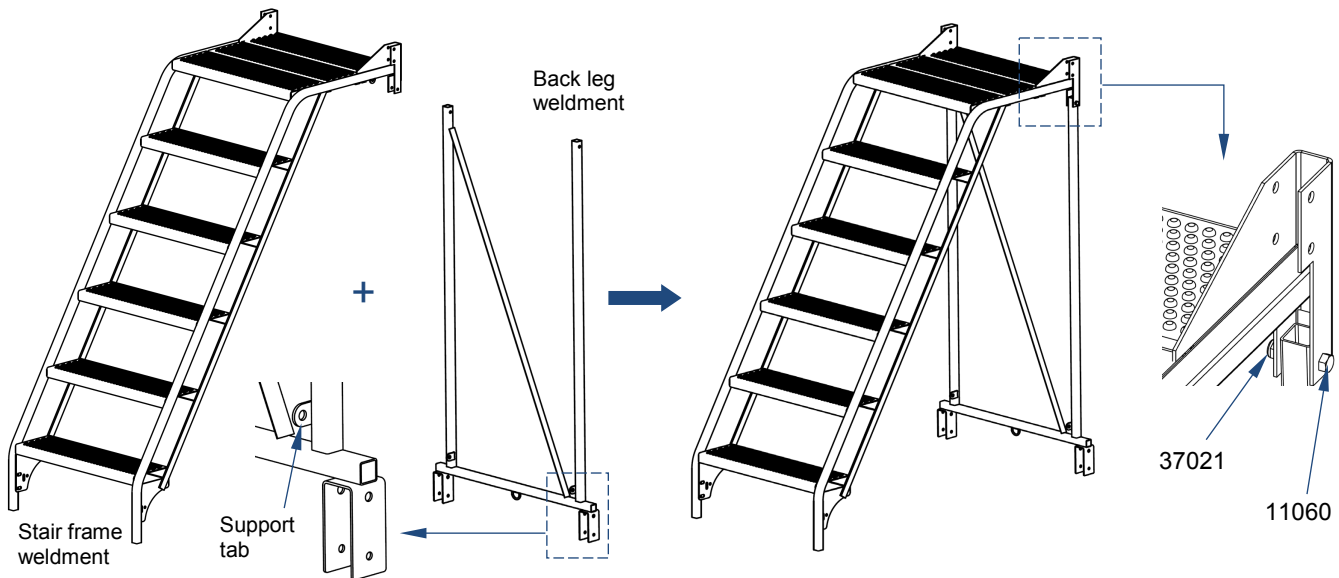
- Visually inspect all ladder components *prior to assembly*. Look at each part of the ladder immediately after you receive the package from the shipper. Look for damage that might have occurred during shipping. DO NOT assemble or use the ladder stand if you notice any damage to one or more of the steps or to any other structural element (step weldment, back leg weldment, base supports, and handrails) of the ladder. Using the ladder stand despite weakness of a frame member could result in serious personal injuries.
- DO NOT assemble the ladder by yourself. At least 2 people are needed for assembly.
- Read the entire instruction manual before assembling this ladder.
- DO NOT use the ladder if a wheel is damaged. Damaged wheels might cause the ladder to wobble or tip when used.

The following tools are necessary to assemble the ladder:

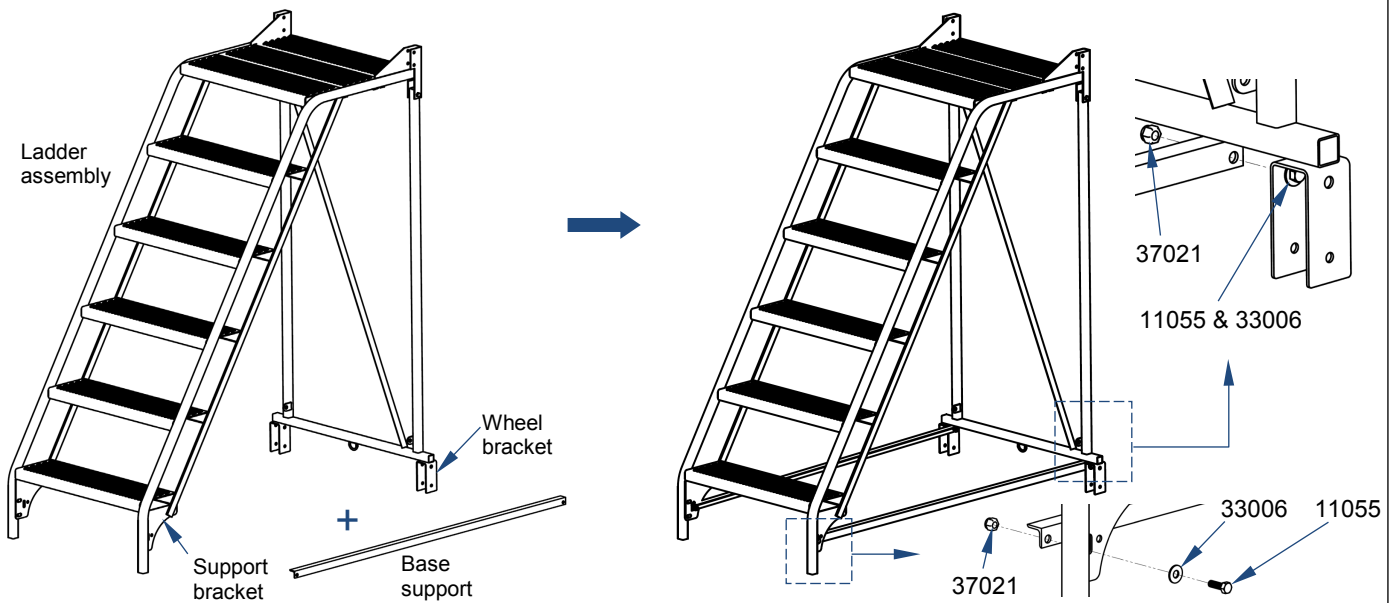
1. 2 crescent wrenches ($\frac{5}{16}$ " and $\frac{3}{8}$ ")
2. Rubber mallet

NOTE: Numbers in the diagrams and in parentheses () correspond to part numbers in the [Exploded views](#) on pages 4-8.

Step 1: Fasten the back leg weldment to the stair frame weldment with $\frac{5}{16}$ in. hardware. Be sure to orient the back leg weldment as shown below (support tabs should face inwards).

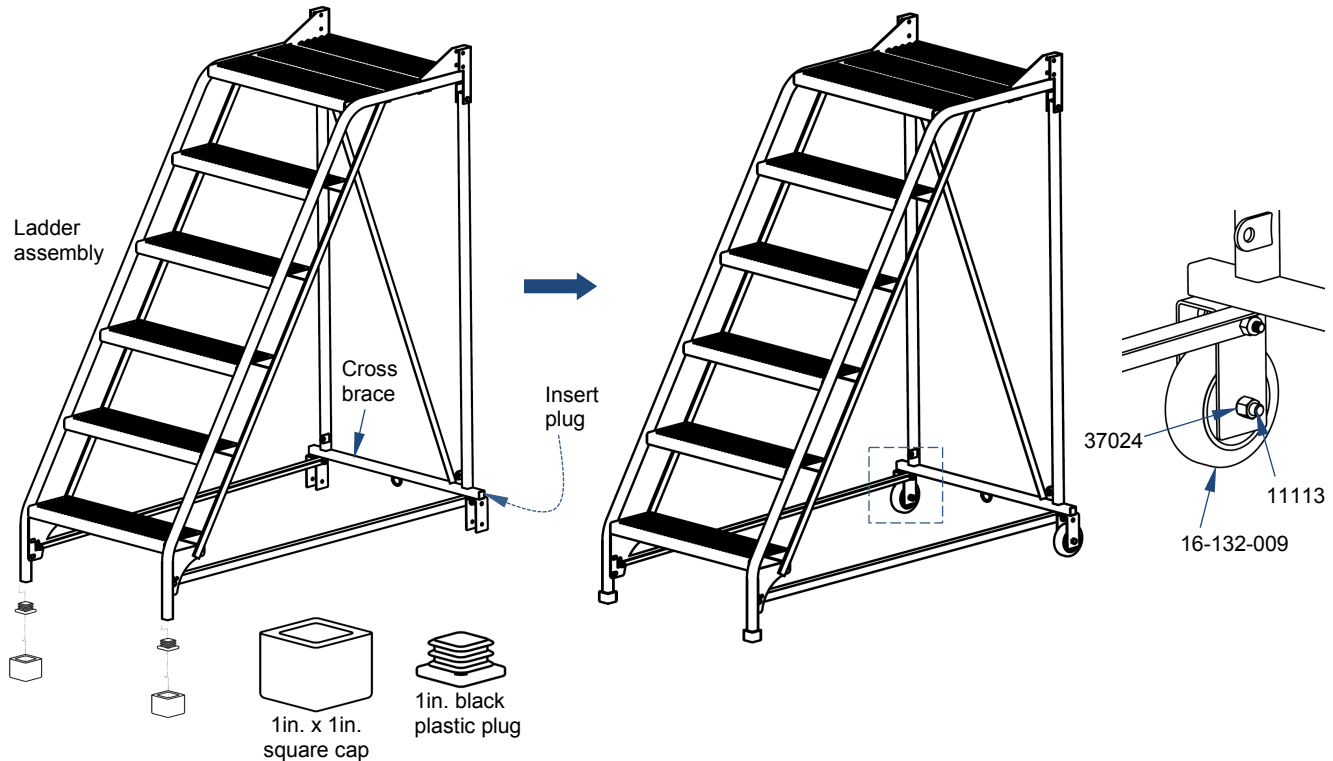
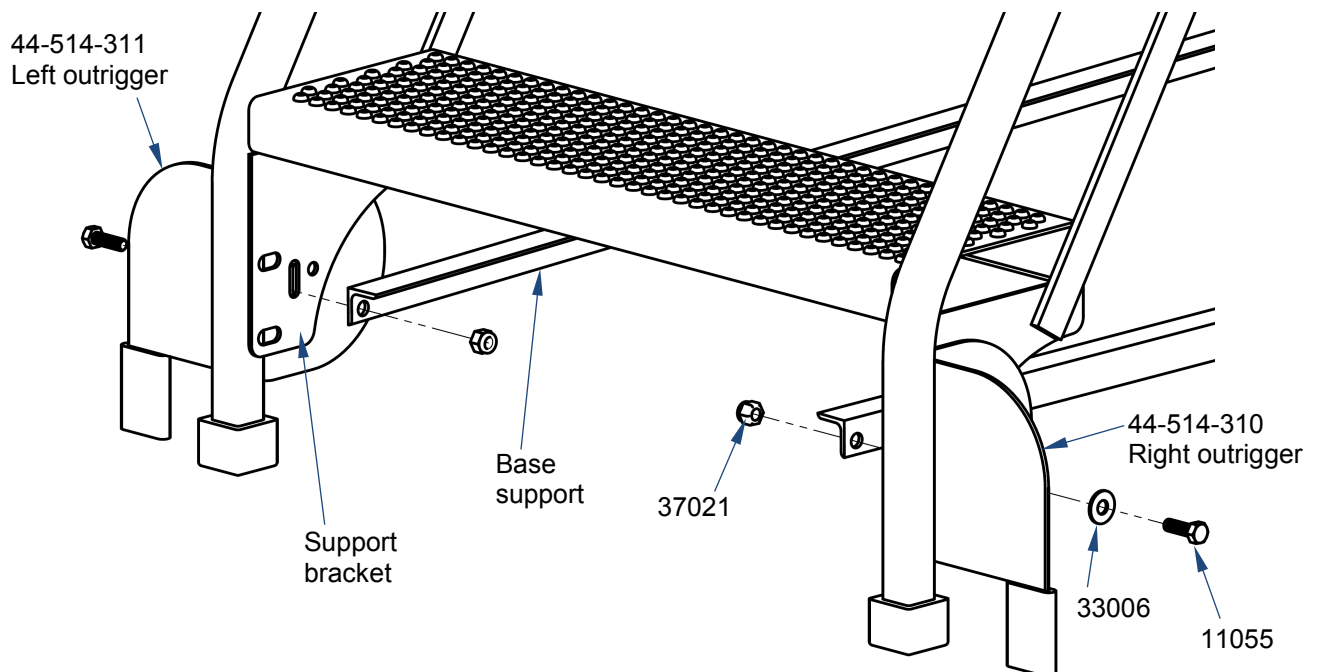


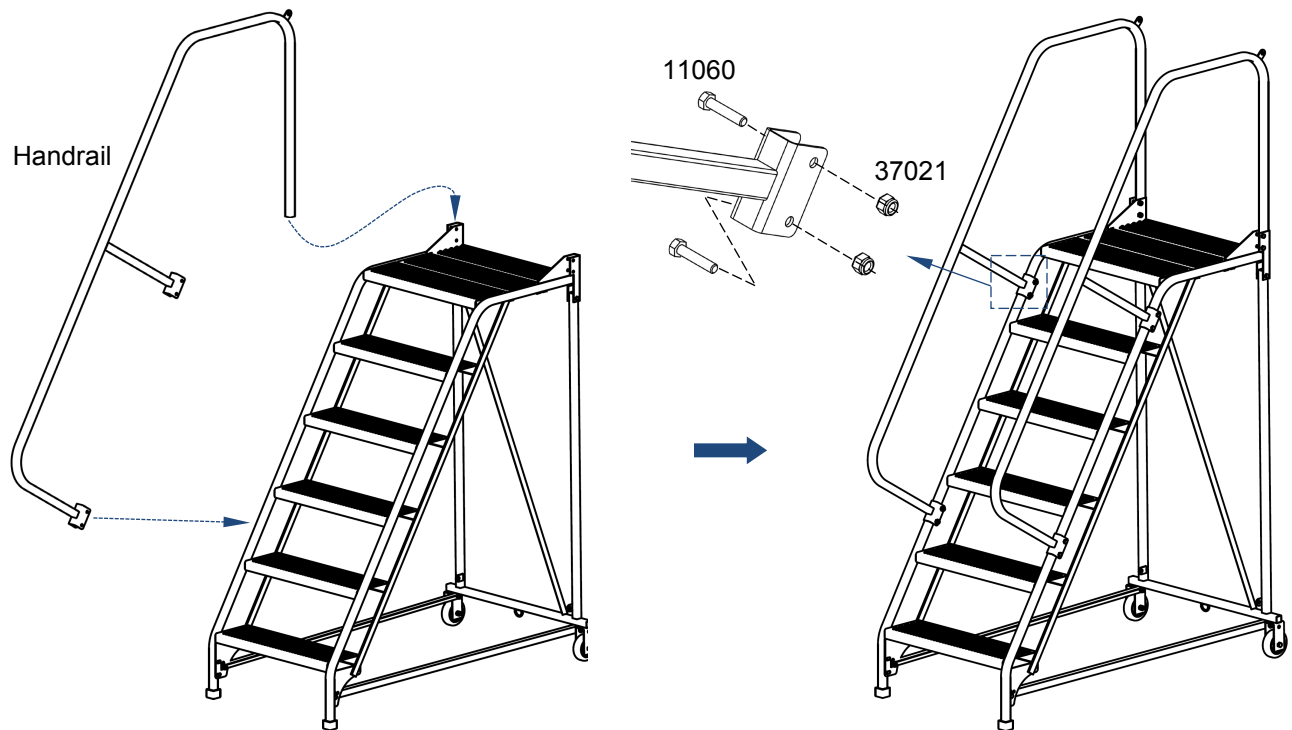
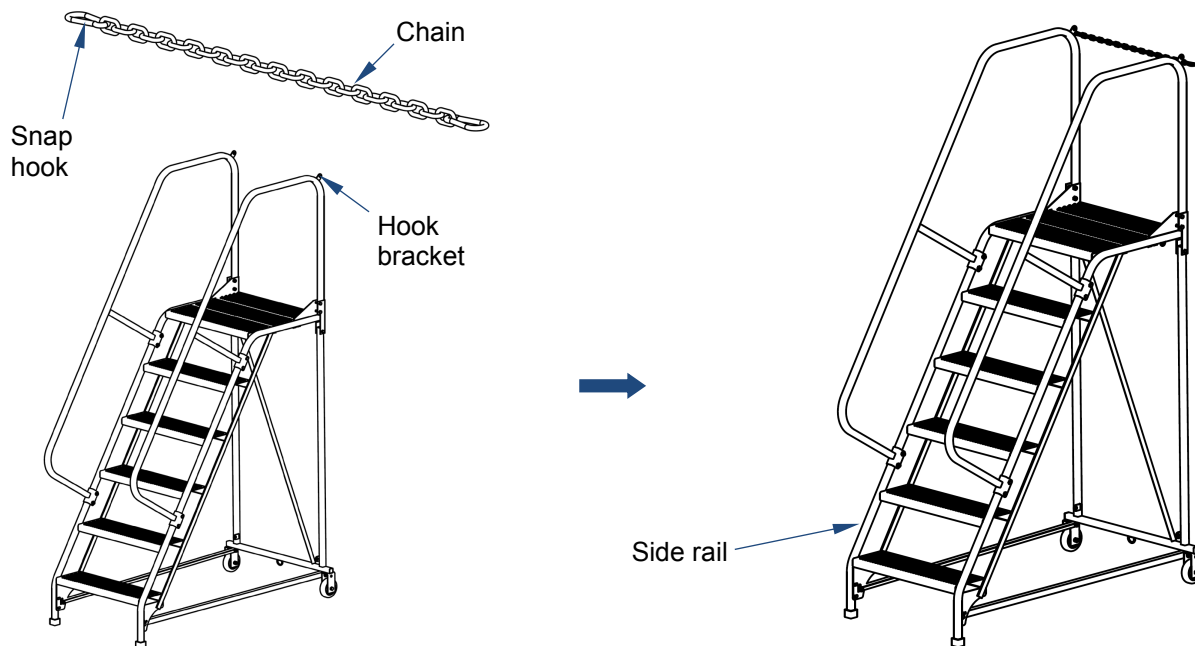
Step 2: Fasten the base supports to the support brackets and wheel brackets with $\frac{5}{16}$ in. – 18 hardware as shown below.



Step 3: Install the plugs, caps, and wheels.

- Install the plastic plugs and square caps in the leg tubes. First, press the 1 in. plastic plug into the leg tubes. Then, press the square caps over the plugs and onto the ends of the legs. If necessary, use a rubber mallet to gently tap the plugs and caps into place.
- Press a plug into each end of the cross brace.
- Then, insert the wheels into the wheel brackets and install $\frac{3}{8}$ "-16 x 2 $\frac{1}{2}$ " bolts (11113). Secure the bolts with axle. Periodically lubricate the bolts to allow the wheels to rotate freely.

**Step 4 (LAD-MM-11 & LAD-MM-12 only):** Install the outriggers. Unfasten the bolt (11055), flat washer (33006), and lock nut (37021). Then, reinstall the hardware the outrigger, support bracket, and base support as shown.

Step 5: Attach the handrails.**Step 6: Install the platform chain. Attach the snap hooks to the hook brackets.****Using the ladder:**

Before climbing the ladder, stand on the bottom step and confirm that the caps solidly contact the ground. The caps should prevent the front end of the ladder from moving.

To move the ladder, grasp either the handrails or the side rails and lift the front of the ladder. Ladders with more steps are heavier and therefore require more effort to move. Only attempt to move the ladder if you are able to comfortably lift it and can easily control it while balanced on its wheels.

Face the ladder and grasp the handrails while ascending or descending the steps. Do not lean against the handrails or the platform chain.

Record of Normal Condition:

After assembling the ladder and before putting it into use, visually inspect the ladder. Make a written record that describes the condition and appearance of the steps, handrails, outriggers, wheels, (leg) caps, base supports, back leg weldment, platform chain, and fasteners (bolts, nuts, etc.). Thoroughly photograph the ladder and each label applied to it. Add the photographs to the record. This record establishes “normal condition” of the ladder. When conducting subsequent inspections, compare your observations to the written record to determine whether the ladder is in normal condition. Do not use the ladder unless it is in normal condition.

Inspections & Maintenance:

Regular inspections — at least once per month inspect the following items. Replace all parts that are damaged before using the ladder again. DO NOT continue to use the ladder if damage cannot be repaired.

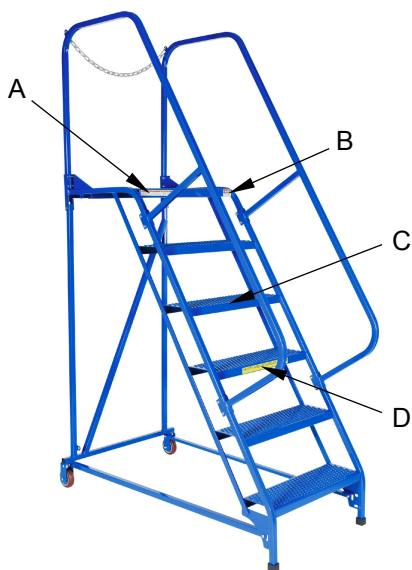
- Handrails, snap hooks, and platform chains: Inspect both handrails. Confirm that they are solidly fastened to the step weldment. Each handrail should be rigid and undamaged. Examine the platform chain and snap hooks. Confirm that they are securely fastened to the handrails and are in normal condition.
- Back leg weldment and wheels: Make sure that the back leg weldment is not bent, that the wheels are not severely worn, that they are vertical (not angled towards or away from the ladder) and roll smoothly. Examine the wheel brackets and hardware for damage. Tighten nuts and bolts, if necessary.
- Frame members (step weldment, back leg weldment, base supports, handrails) and all fasteners (bolts, nuts, pins): Inspect each frame member for damage like excessive wear, bends, and cracks. All frame pieces should be square, rigid, and free of rust and corrosion. Remove rust with steel wool or a metal bristle brush and apply touch-up paint to the affected area. Check the areas where frame members are bolted together. Check the areas around bolt holes for cracks, elongated bolt holes, etc.
- Square (rubber) caps: Check the caps for cracks and excessive or uneven wear. Install replacement caps before returning the ladder to service.
- Outriggers (11 and 12 step models): Examine the outriggers. Both should be securely fastened to the step weldment. Both outriggers should make solid contact with the ground, i.e. the ladder should not be able to wobble. Confirm that the caps on the outrigger legs are in satisfactory condition.

Maintenance: in addition to correcting issues discovered during inspections, maintain the ladder as described below.

- Clean the ladder to remove dirt and grime, especially from step surfaces.
- Lubricate bolts as necessary for the wheels to rotate freely.
- Apply touchup paint wherever the finish is damaged.

Labeling diagram:

Each unit should be labeled as shown in the diagram. However, label content and location are subject to change so your product might not be labeled exactly as shown. Compare the diagram below to your *Record of Normal Condition*. If there are any differences between actual labeling and this diagram, adapt the diagram to reflect actual labeling. Replace all labels that are damaged, missing, or not easily readable (e.g. faded). To order replacement labels or to inquire whether your unit is properly labeled, contact the technical service and parts department online at http://www.vestilmfg.com/parts_info.htm or by calling (260) 665-7586 and asking for the Parts Department.



A: Label 740 (on nosing of a step or platform)

▲ WARNING	▲ ADVERTENCIA	▲ AVERTISSEMENT
<ul style="list-style-type: none"> • Do not use near live electric lines • Do not climb rails or lean over rails • Do not use if damaged or worn • Use ladder on level, smooth surfaces only 	<ul style="list-style-type: none"> • No use cerca de líneas eléctricas • No se suba o se asome en la barandilla • No use si esta danado o gastado • Use la escalera en superficies a nivel y lisas 	<ul style="list-style-type: none"> • Ne pas utiliser près des lignes électriques sous tension • Ne pas grimper sur ou vous pencher des rails • Ne pas utiliser si endommagée ou usagée • Utiliser l'échelle seulement sur des surfaces plates et lisses

B: Label 729A (on nosing of a step)



C: Label 287 (on nosing of a step)

MODEL/MODÉLO/MODÈLE	_____
STATIC CAPACITY (evenly distributed)	_____ lbs.
LA CAPACIDAD CONSTANTE (distribuida uniformemente)	_____ kgs.
CAPACITÉ STATIQUE (distribuée régulièrement)	_____ kgs.
SERIAL/SERIE/SÉRIE	_____

287 REV 0812

D: Label 821 (on nosing of a step)



LIMITED WARRANTY

Vestil Manufacturing Corporation (“Vestil”) warrants this product to be free of defects in material and workmanship during the warranty period. Our warranty obligation is to provide a replacement for a defective, original part covered by the warranty after we receive a proper request from the Warrantee (you) for warranty service.

Who may request service?

Only a warrantee may request service. You are a warrantee if you purchased the product from Vestil or from an authorized distributor AND Vestil has been fully paid.

Definition of “original part”?

An original part is a part used to make the product as shipped to the Warrantee.

What is a “proper request”?

A request for warranty service is proper if Vestil receives: 1) a photocopy of the Customer Invoice that displays the shipping date; AND 2) a written request for warranty service including your name and phone number. Send requests by one of the following methods:

<u>US Mail</u>	<u>Fax</u>	<u>Email</u>
Vestil Manufacturing Corporation 2999 North Wayne Street, PO Box 507 Angola, IN 46703	(260) 665-1339 <u>Phone</u> (260) 665-7586	info@vestil.com Enter “Warranty service request” in subject field.

In the written request, list the parts believed to be defective and include the address where replacements should be delivered. After Vestil receives your request for warranty service, an authorized representative will contact you to determine whether your claim is covered by the warranty. Before providing warranty service, Vestil will require you to send the entire product, or just the defective part (or parts), to its facility in Angola, IN.

What is covered under the warranty?

The warranty covers defects in the following original, dynamic parts: motors, hydraulic pumps, motor controllers, and cylinders. It also covers defects in original parts that wear under normal usage conditions (“wearing parts”), such as bearings, hoses, wheels, seals, brushes, and batteries.

How long is the warranty period?

The warranty period for original dynamic components is 90 days. For wearing parts, the warranty period is 90 days. Both warranty periods begin on the date Vestil ships the product to the Warrantee. If the product was purchased from an authorized distributor, the periods begin when the distributor ships the product. Vestil may, at its sole discretion, extend a warranty period for products shipped from authorized distributors by up to 30 days to account for shipping time.

If a defective part is covered by the warranty, what will Vestil do to correct the problem?

Vestil will provide an appropriate replacement for any *covered* part. An authorized representative of Vestil will contact you to discuss your claim.

What is not covered by the warranty?

The Warrantee (you) is responsible for paying labor costs and freight costs to return the product to Vestil for warranty service.

Events that automatically void this Limited Warranty.

- Misuse;
- Negligent assembly, installation, operation or repair;
- Installation/use in corrosive environments;
- Inadequate or improper maintenance;
- Damage sustained during shipping;
- Collisions or other accidents that damage the product;
- Unauthorized modifications: Do not modify the product IN ANY WAY without first receiving written authorization from Vestil.

Do any other warranties apply to the product?

Vestil Manufacturing Corp. makes no other express warranties. All implied warranties are disclaimed to the extent allowed by law. Any implied warranty not disclaimed is limited in scope to the terms of this Limited Warranty. Vestil makes no warranty or representation that this product complies with any state or local design, performance, or safety code or standard. Noncompliance with any such code or standard is not a defect in material or workmanship.

